



## *PCB Relay Model: HH54P*



### **Product Description**

AC 220V coil voltage, 240V AC and 28V DC contact power, 14 pin relay is easy to use in electrical ways.

Coil Voltage	AC 220V
Contact Capacity	AC240V/ DC28V 5A
Total Size	3.5 x 2.7 x 2cm / 1.4" x 1.1" x 0.8" (L * W * T)
External Material	Plastic
Color	Clear, Black
Weight	170g

### **Description:**

- Suitable for domestic appliance, office machine, audio, equipment, automobile, etc.
- The relay plays the role as a protector or a circuit switch. It can protect your electric equipment's very well.
- 14 pin relay is for general purpose.



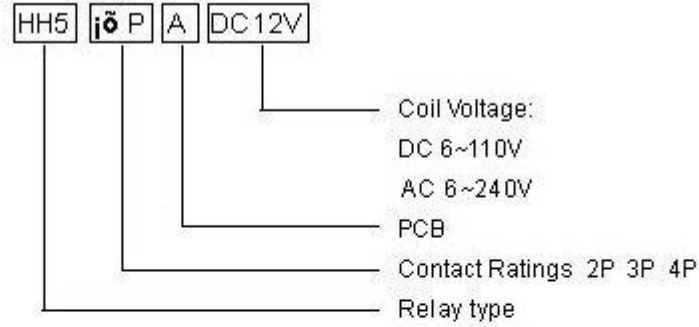
## Features

- 7A Carrying current
- SPST-NO & SPDT



HH5 4 P A

## PCB Relay



## Contact Ratings

Contact Ratings	2Z,2C/3Z,3C	4Z,4C
Contact Resistance	50mΩ(1A 6VDC)	
Contact Material	Silver Alloy	
Contact capacity	5A, 250VAC/28VDC	3A, 5A/250VAC 28VDC

## Specification

Insulation Resistance	100MΩ, 500VDC	
Dielectric Strength	BCC	1500V 1 min
	BOC	1000V 1 min
	COC	1500V 1 min
Operate Time	20ms/15ms	
Terminal Type	PCB	

## Coil Ratings

Nominal Coil Power	0.9W/1.0~1.3VA
--------------------	----------------

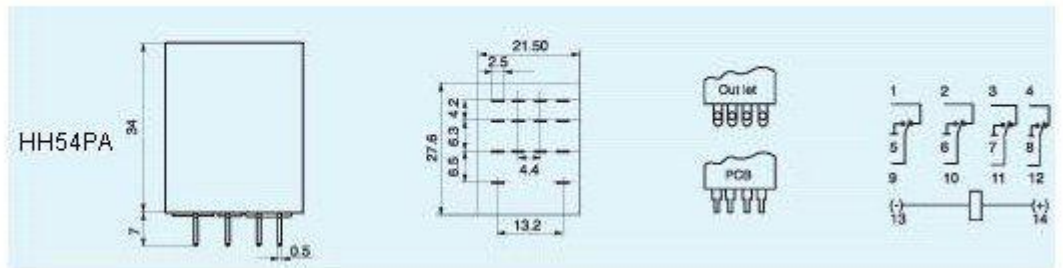
Coil Versions

Nominal Voltage VDC	Pull-in Voltage VDC	Release Voltage VDC	Coil Resistance Ω: ±10%
5	4.8	0.50	30
6	4.8	0.60	40
12	9.6	1.20	160
24	19.2	2.40	640
48	38.4	4.80	2560
110	88.0	11.0	12100

Coil Versions

Nominal Voltage VAC	Pull-in Voltage VAC	Release Voltage VAC	Coil Resistance Ω: ±10%
6	4.80	1.80	12
12	9.60	3.60	42
24	19.2	7.20	168
48	38.4	14.4	675
110	96.0	36.0	3500
220/240	176.0	66.0	14000

Dimension Bottom View



*Made in China*